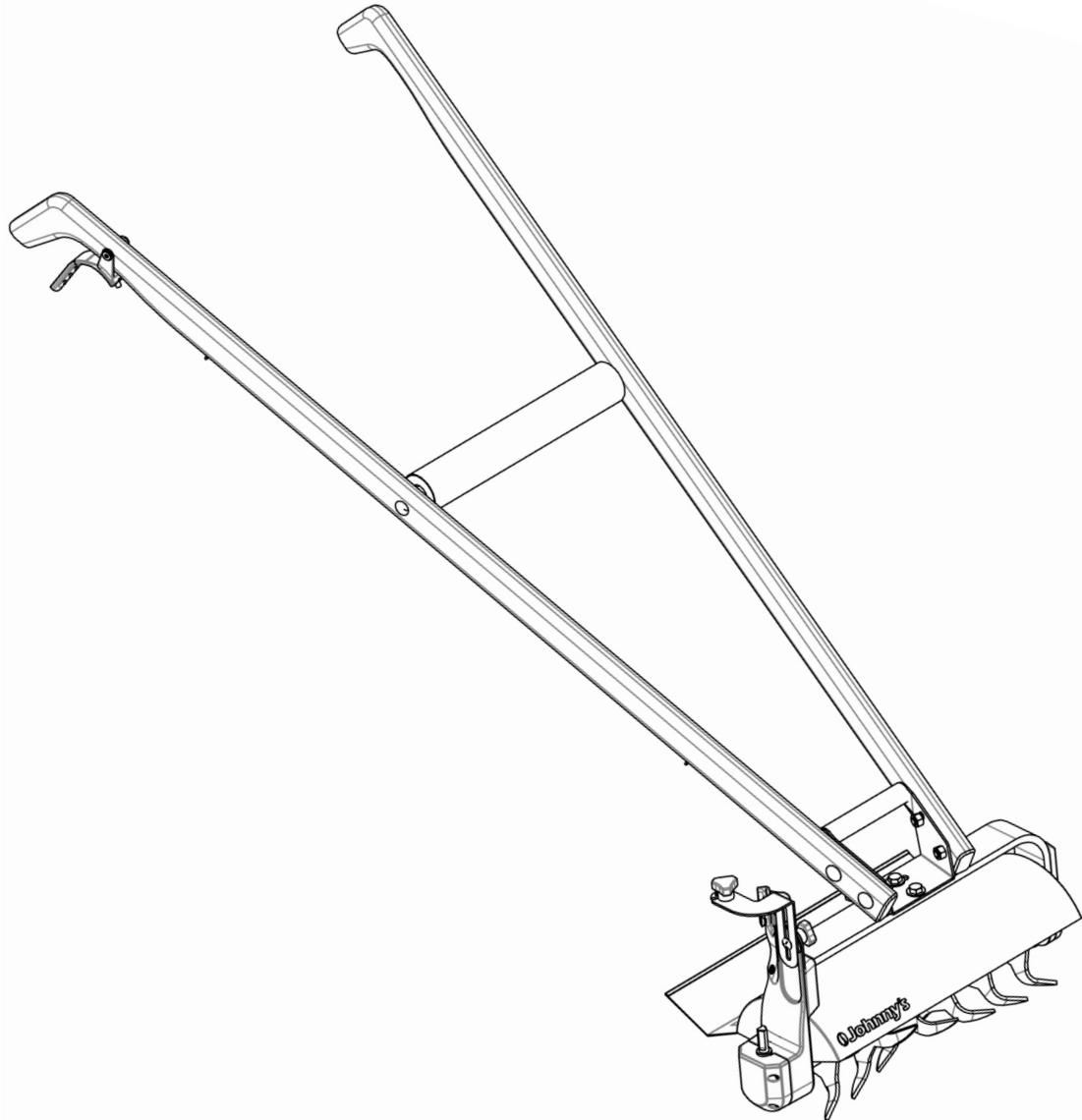




955 Benton Ave., Winslow, ME 04901 • Phone: 1-877-564-6697 • Fax: 1-800-738-6314  
Email: [service@johnnyseeds.com](mailto:service@johnnyseeds.com) • Web Site: [Johnnyseeds.com](http://Johnnyseeds.com)

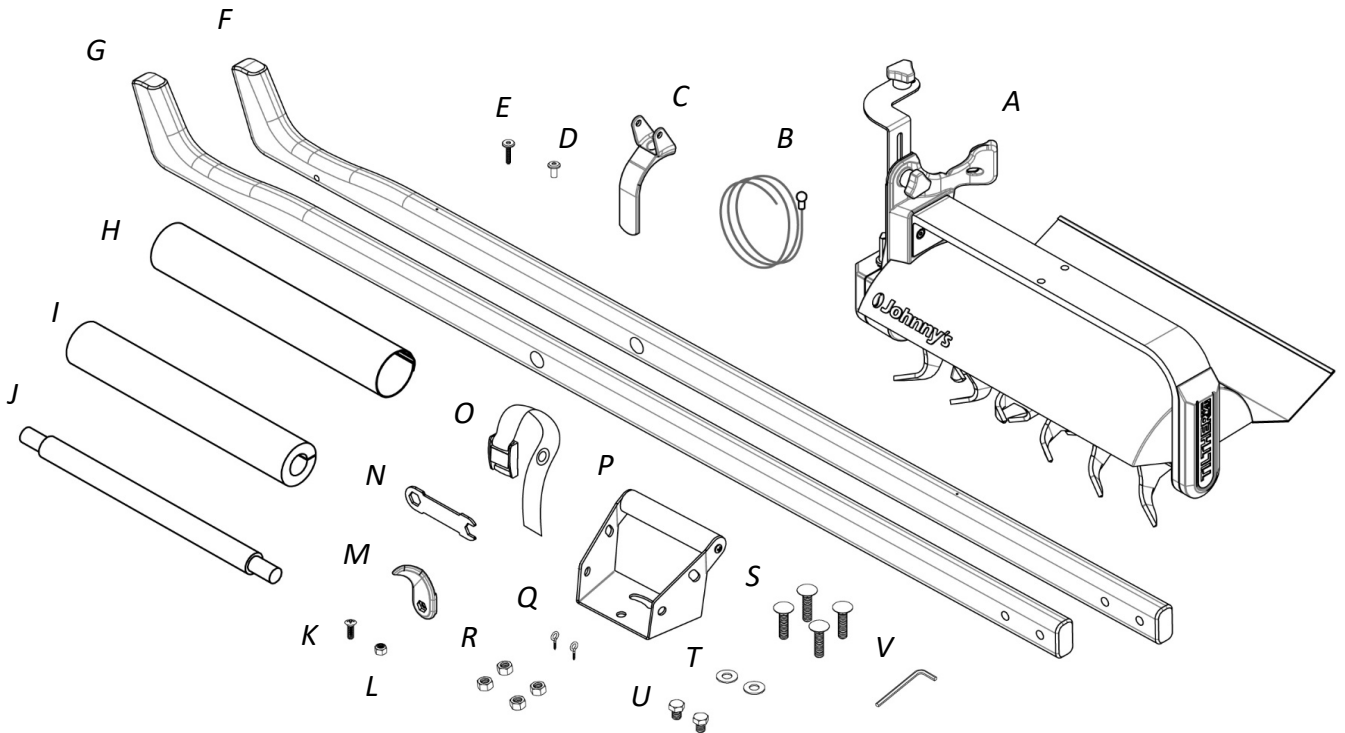


# TILTHER XT

955 Benton Ave., Winslow, ME 04901 • Phone: 1-877-564-6697 • Fax: 1-800-738-6314  
 Email: [service@johnnyseeds.com](mailto:service@johnnyseeds.com) • Web Site: [Johnnyseeds.com](http://Johnnyseeds.com)

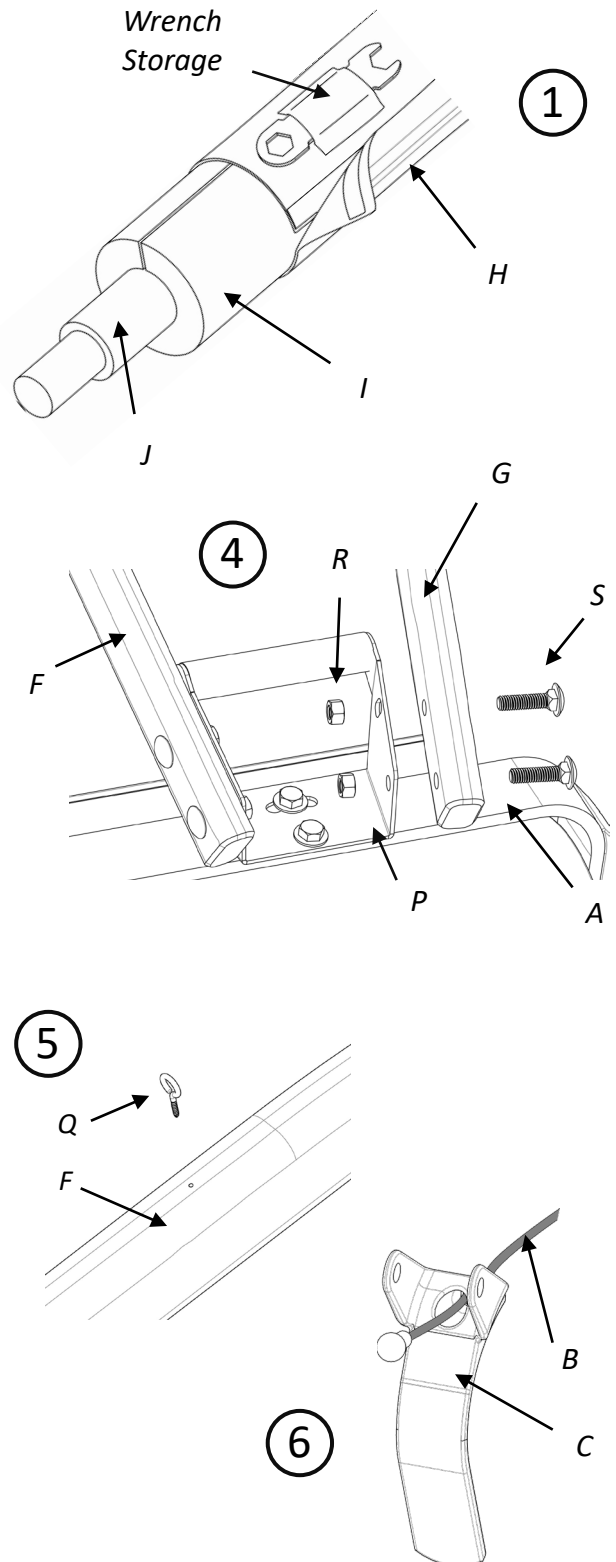
Parts list:

- |                                  |  |
|----------------------------------|--|
| A. (1) Tilther XT Head           | L. (1) ¼"-20 Locknut                         |
| B. (1) Cable with Ball End       | M. (1) Cable Guide (pre-installed)           |
| C. (1) Trigger                   | N. (1) Adjustment Wrench (pre-installed)     |
| D. (1) #10-24 Binding Post       | O. (1) Drill Restraint Strap (pre-installed) |
| E. (1) #10-24 Binding Screw      | P. (1) Handle Bracket                        |
| F. (1) Main Handle Body (Right)  | Q. (2) 114 ¼" ID Eyebolt                     |
| G. (1) Main Handle Body (Left)   | R. (4) 3/8" - 16 Hex Nut                     |
| H. (1) Crossbar Cover            | S. (4) 3/8"-16 Carriage Bolt                 |
| I. (1) Crossbar Pad              | T. (2) 3/8" Flat Washer                      |
| J. (1) Wooden Crossbar           | U. (2) 3/8"-16 Hex Bolt                      |
| K. (1) (1) ¼"-20 Oval Head Screw | V. (1) 5/32" Hex Key                         |

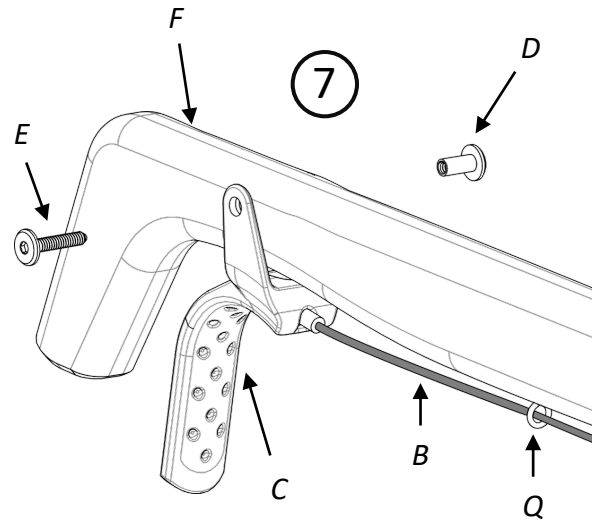


# ASSEMBLY:

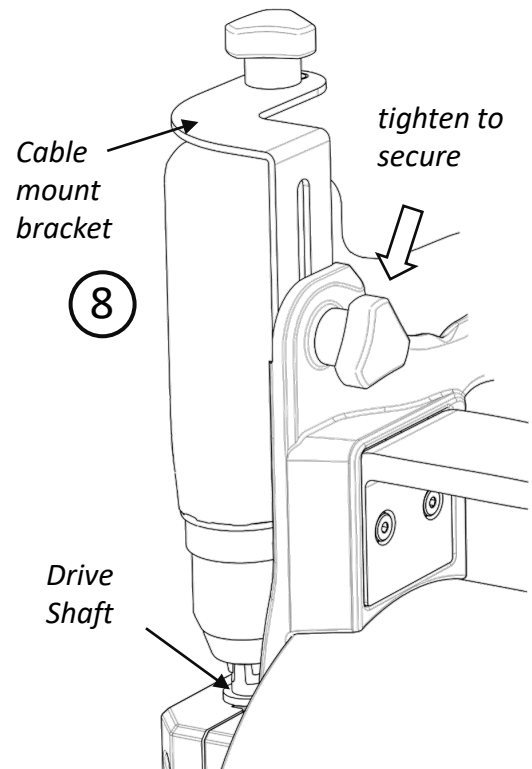
1. Slide the Crossbar Pad (I) and Crossbar Cover (H) over the Wooden Crossbar (J). Adjustment Wrench (N) may be stored on the crossbar cover in the provided loop.
2. Slot the dowel ends of the Wooden Crossbar (J) into the corresponding holes in the Main Handle bodies (F and G).
3. Attach the Handle Bracket (P) to the Tilther XT Head (A) using the (2) 3/8"-16 Hex Bolt (U) along with the (2) 3/8" Flat Washer (T) in the corresponding holes on the head.
4. Use (4) 3/8"-16 Carriage Bolts (S) with corresponding Hex Nuts (R) to attach the Main Handle bodies (F and G) to the Handle Bracket (P). Handle Body Right (F) will have a hole for the trigger near the hand grip.
5. Install Eyebolts (Q) into provided pilot holes in the Main Handle Body Right (F).
6. Cable (B) should be supplied with Trigger (C) attached. Make sure to seat the ball end in the recessed area of the Trigger (C).



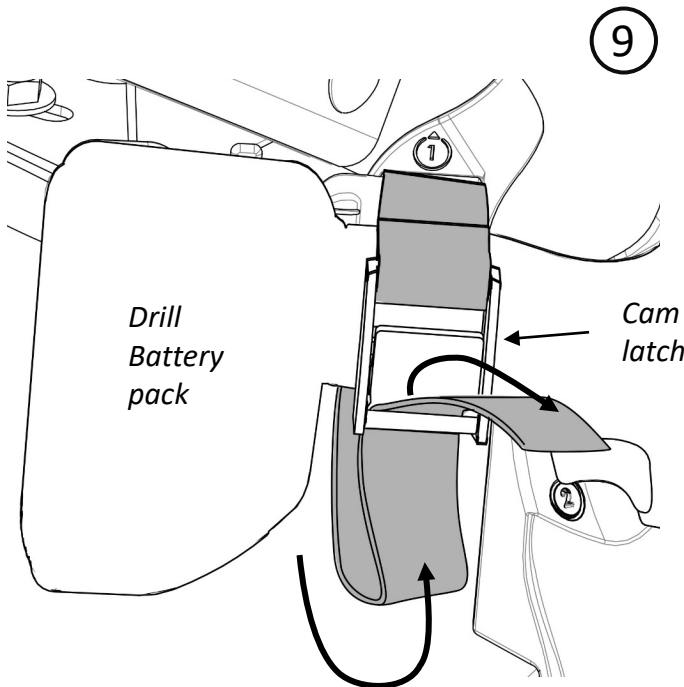
- Attach Trigger (C) to Main Handle Body Right (F) using the Binding Screw (E) with Binding Post (D) and tightening with supplied Hex Key (V). Thread Cable (B) through the Eyebolts (Q) along Main Handle Body Right (F).



- Attach drill (not included) to the drive shaft. Lower the cable mount bracket so that it rests on the back side of the drill. Tighten thumb screw to secure.

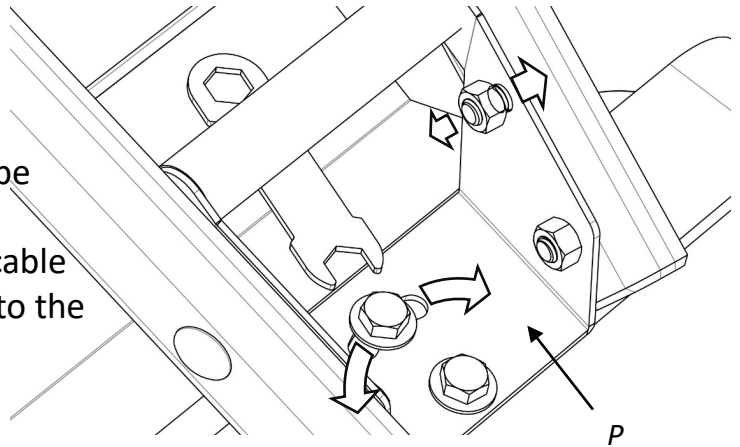


- Wrap the Drill Restraint Strap (O) around the drill handle and feed it through the cam latch. The strap should be just tight enough to take up any slack.



## ADJUSTING THE HANDLE POSITION:

Handle offset distance and height can be adjusted through the hardware in the Handle Bracket. Always double-check cable tension after making any adjustments to the handle position.



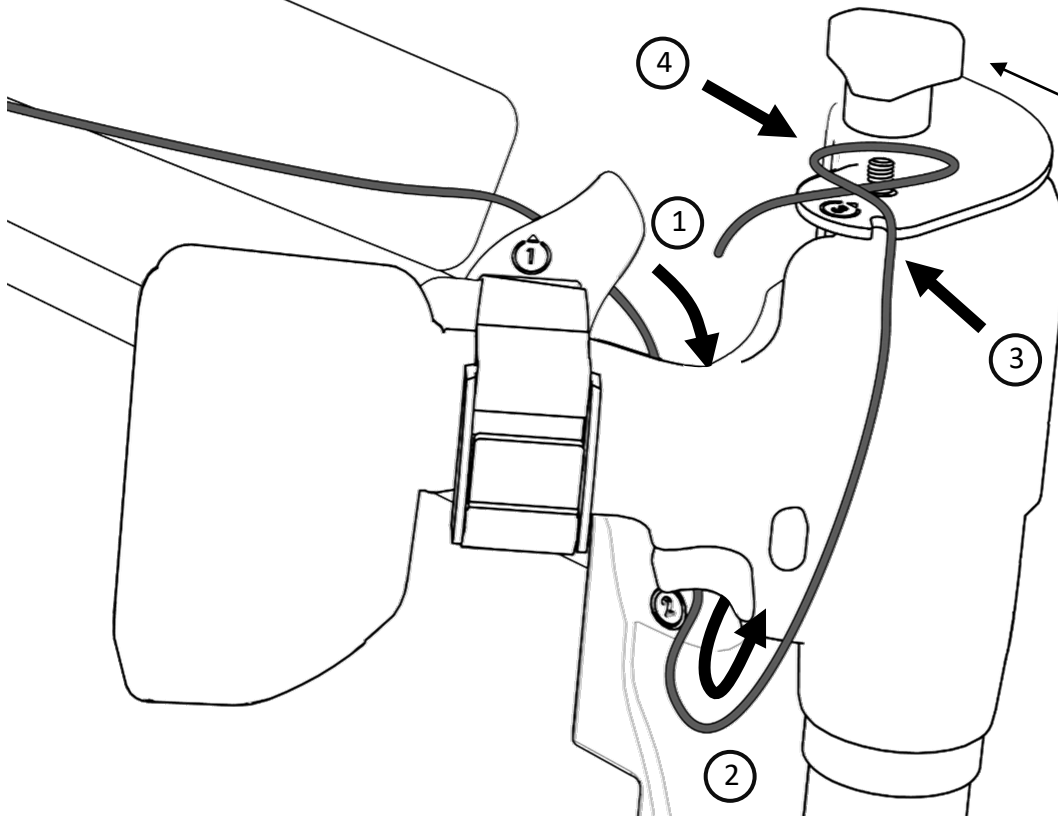
## ROUTING THE CABLE:

1. After feeding through the last Eyebolt (Q), pass the Cable (B) behind the marked spot on the cable guide. Guide the cable down to the notch in the drill support housing.

2. Pass the cable down between the drill and the drill support, looping the cable under the trigger. The cable will route from behind the drill grip near the marked spot.

3. Seat the cable into the notch on the cable mounting bracket and secure the cable in place as pictured below.

4. Wind the cable clockwise making sure the cable crosses underneath itself under anchoring thumb nut.\*



\*Hand tighten thumb screw as firmly as possible to prevent slippage.\*

## OPERATION AND USE:

- **WARNING: To avoid bodily harm, ALWAYS disconnect the battery from the drill before clearing debris from the tines or making any adjustments.**
- This tool is NOT for initial tillage of native ground and should be used only on previously worked soils without heavy debris and crop residues.
- The Tilther XT should be used with the drill set on the lowest gear and on the highest torque setting, which is often indicated with a drill symbol.
- Be certain the rotation direction of the drill is forward, not backward. **Note: Please reference the owner's manual for your drill for information about settings.**
- To operate, gently pull the Tilther XT trigger. The movement of the tines will pull the Tilther XT forward. Restrain this movement while walking forward at whatever pace is needed to prepare the soil to your desired depth. Operate the unit at its highest speed for best results.
- The Tilther XT's stainless-steel shroud includes a skirt that levels the soil as you go, resulting in a smooth seeding surface. Fine tune the angle adjustment for handles to find a position that achieves your desired result.

## TIPS FOR BEST PERFORMANCE:

- Leave a small gap between the cable and the trigger when tensioning the trigger cable.
- Always store your Tilther XT clean and dry.
- Make sure to keep debris clear of the tines.
- Handles may be re-oiled each year to extend their life.
- Excess trigger cable length may be trimmed off.